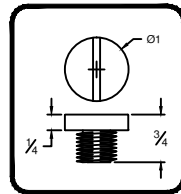
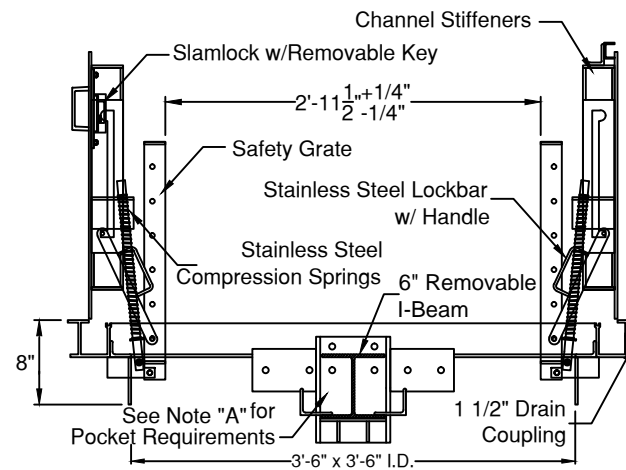
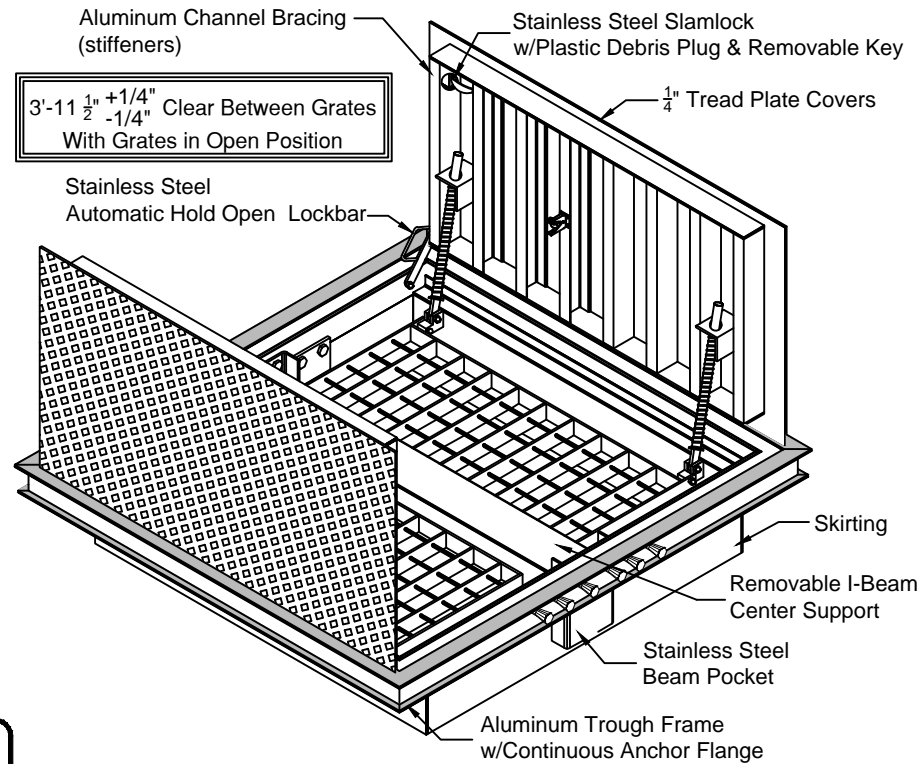
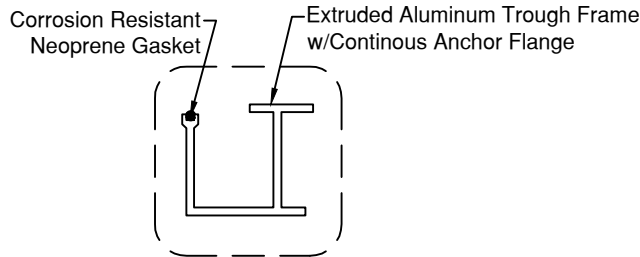


NOTE "A"

Beam Support Pockets Must be Secured with 1/2" Dia. Concrete Inserts or Anchor Bolts to Maintain Load Requirements.
Failure to do so will cause Load Failure and Void Manufacturers Warranty.

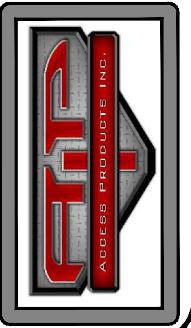


Plastic Debris Plug



Note:
1. Extruded Trough Frame (6061-T6 Alum.)
2. H-20 Loading
3. Spring Assist
4. (316) SS Hardware & Hinges
Incidental Traffic Only

Aluminum Double Leaf H20 Access Hatch
DHT4242AL 42 x 42 I.D. w/Safety Grate
(8" Frame Height)
K&B Steel (Formerly Access Products, Inc.)
E-Mail: kbsteel@valornet.com
525 Industrial Blvd. Clarksville, Texas 75426
Phone: (903) 427-3980 FAX: (903) 427-5817



(Date: 2-08-2023)